

CrystaLED is a brand of ConsTech

## LED Lighting Products



**Smart LED Lighting**  
**Long Life Products**  
**Save Energy Cost**  
**Comfortable Life**



# A60 SERIES

# LED Lamp 3-CCT E27



A60 LED Lamps  
E27 Lamp  
Holders  
9W 10W & 11W  
Long Life

3-CCT  
Color Temp Switch  
to Change  
4000K  
5000K  
6000K

Volts 90-305VAC  
50Hz  
PF >0.60  
Two Years  
Warranty



# FLA SERIES



## CrystaLED LED Flood Lights IP66

Cree  
Bridgelux  
Osram  
Sanan

Meanwell  
Inventronics  
Sosen  
LiFud

IP66  
150 Lm / Watt  
20W to 200W  
PF >0.95  
Volts 90-305VAC



**CrystaLED FLA Series** of Industrial Type **IP66 LED Flood Lights** are suitable for Area Lighting, Security Lighting, Small Sports Fields & CCTV applications to achieve HD results with improved color rendering & excellent view of the places for CCT Cameras for face & name plate recognition

Suitable for Wall, Surface & Standard U-Shaped Bracket Mounting. Pole & T-Channel Mounting  
Optional Special Brackets available on request based on drawing & mounting brackets material



Chips: Cree/Bridgelux/Sanan/Osram  
Drivers: Meanwell/Inventronics/Sosen/LiFud  
Material: Die Cast Aluminium  
Paint: Powder Coated Paint  
Gaskets: Silicone  
IP Rating: IP66  
Motion Sensor PIR, Remote Control, Photocell & Timers subject of extra cost

Watts: 20W, 30W, 50W, 100W, 150W & 200W  
150 Lm/ Watt  
60,000 hours life  
P. Factor > 0.95 to 0.98  
AC Voltages: 90-305VAC, 50/60 Hz  
DC Voltages: 12 / 24 / 48VDC (on extra cost & change in design parameters)  
Luminous Angles: 15°/30°/60°/90°/120°

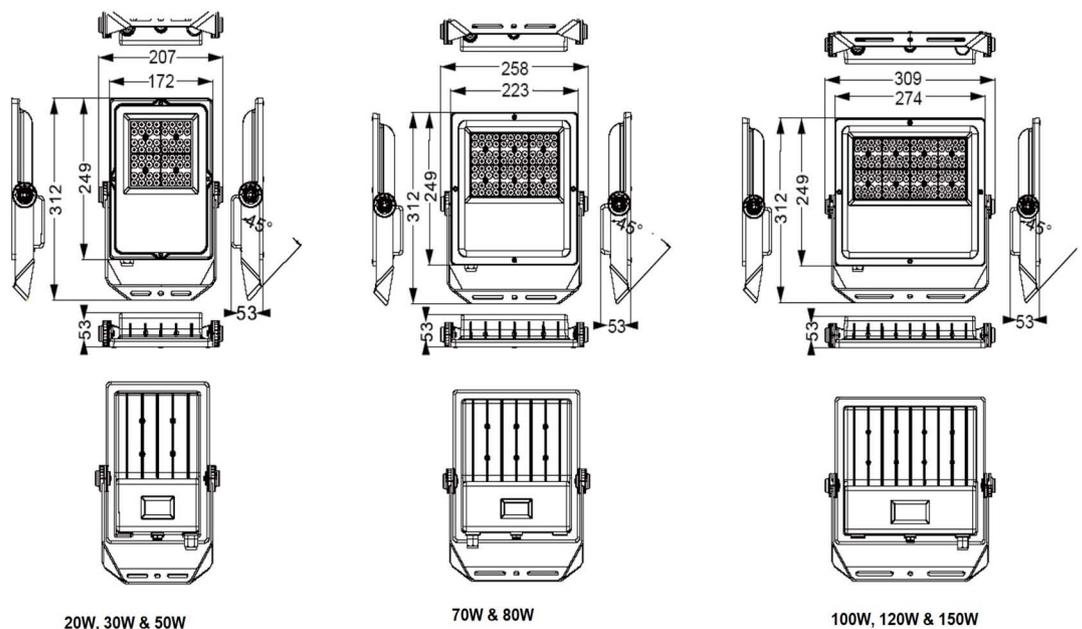
**CrystaLED High Performance LED Flood Lights** are also available on request for any specific wattage or nearest to the above mentioned wattages, voltages and color temperatures like 3000K, 6500K. Special manufacturing & technical support services are available to provide you the proper solutions against other technical specifications and customised solution for your different applications

**Wattages**  
**Color Temp**  
**Catalogue Number**  
**Product Weights**

# LED Flood Lights IP66

Cat. Number	Wattage	Lumens	Ingress Protection	Color Temp.	Voltages	Temperature	Weight
CRLED-FLA-20W-6K	20W	3000	IP66	6000K	90-305VAC	-40 to+55	2.30 Kgs
CRLED-FLA-20W-5K	20W	3000	IP66	5000K	90-305VAC	-40 to+55	2.30 Kgs
CRLED-FLA-20W-4K	20W	3000	IP66	4000K	90-305VAC	-40 to+55	2.30 Kgs
CRLED-FLA-30W-6K	30W	4500	IP66	6000K	90-305VAC	-40 to+55	2.50 Kgs
CRLED-FLA-30W-5K	30W	4500	IP66	5000K	90-305VAC	-40 to+55	2.50 Kgs
CRLED-FLA-30W-4K	30W	4500	IP66	4000K	90-305VAC	-40 to+55	2.50 Kgs
CRLED-FLA-50W-6K	50W	7500	IP66	6000K	90-305VAC	-40 to+55	2.57 Kgs
CRLED-FLA-50W-5K	50W	7500	IP66	5000K	90-305VAC	-40 to+55	2.57 Kgs
CRLED-FLA-50W-4K	50W	7500	IP66	4000K	90-305VAC	-40 to+55	2.57 Kgs
CRLED-FLA-100W-6K	100W	15000	IP66	6000K	90-305VAC	-40 to+55	3.25 Kgs
CRLED-FLA-100W-5K	100W	15000	IP66	5000K	90-305VAC	-40 to+55	3.25 Kgs
CRLED-FLA-100W-4K	100W	15000	IP66	4000K	90-305VAC	-40 to+55	3.25 Kgs
CRLED-FLA-150W-6K	150W	22500	IP66	6000K	90-305VAC	-40 to+55	3.55 Kgs
CRLED-FLA-150W-5K	150W	22500	IP66	5000K	90-305VAC	-40 to+55	3.55 Kgs
CRLED-FLA-150W-4K	150W	22500	IP66	4000K	90-305VAC	-40 to+55	3.55 Kgs
CRLED-FLA-200W-6K	200W	30000	IP66	6000K	90-305VAC	-40 to+55	3.56 Kgs
CRLED-FLA-200W-5K	200W	30000	IP66	5000K	90-305VAC	-40 to+55	3.56 Kgs
CRLED-FLA-200W-4K	200W	30000	IP66	4000K	90-305VAC	-40 to+55	3.56 Kgs

## Dimensions



FLTP SERIES



FLTP Series High Performance LED Flood Lights IP66

Cree  
Bridgelux  
Osram  
Sanan

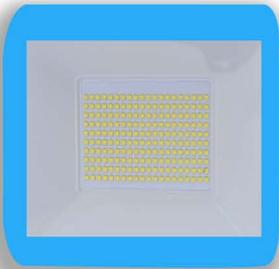
Meanwell  
Inventronics  
Sosen  
Cree  
Lifud

IP66  
128 Lm / Watt  
50W to 200W  
PF >0.95  
Volts 90-305VAC



**CrystaLED FLTP Series** of High Performance **LED Flood Lights IP66** are suitable for Large Area Lighting, Large Sports Fields, Security Lighting & excellent view of the places for CCT Cameras for Video Broadcasting of live sports events.

Suitable for Wall, Surface & Standard U-Shaped Bracket Mounting. Pole & T-Channel Mounting  
Optional Special Brackets available on request based on drawing & mounting brackets material



Chips: Cree/Bridgelux/Sanan/Osram  
 Drivers: Meanwell/Inventronics/Sosen/LiFud  
 Material: Die Cast Aluminium  
 Paint: Powder Coated Paint  
 Gaskets: Silicone  
 IP Rating: IP66  
 Motion Sensor PIR, Remote Control, Photocell & Timers subject of extra cost

Watts: 50W, 100W, 150W, 180W & 200W  
 128 Lm/ Watt  
 60,000 hours life  
 P. Factor > 0.95 to 0.98  
 AC Voltages: 90-305VAC, 50/60 Hz  
 DC Voltages: 12 / 24 / 48VDC (on extra cost & change in design parameters)  
 Luminous Angles: 15°/30°/60°/90°/120°

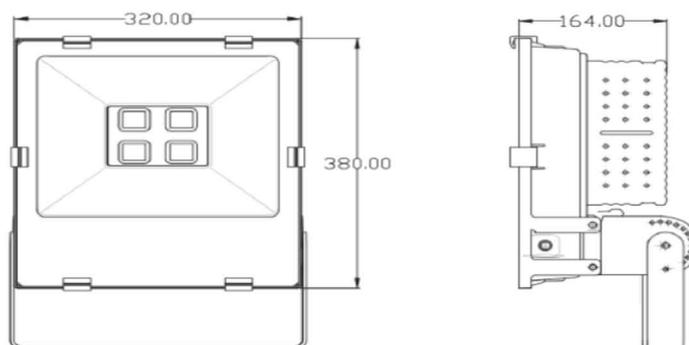
**CrystaLED FLTP Series** of High Performance LED Flood Lights are also available on request for any specific wattage or nearest to the above mentioned wattages, voltages and color temperatures like 3000K, 6500K. Special manufacturing & technical support services are available to provide you the proper solutions against other technical specifications and customised solution for your different applications

Wattages  
Color Temp  
Catalogue Number  
Product Weights

## FLTP Series High Performance LED Flood Lights IP66

Cat. Number	Wattage	Lumens	Ingress Protection	Color Temp.	Voltages	Temperature
CRLED-FLTP-50W-6K	50W	6400	IP66	6000K	90-305VAC	-40 to+55
CRLED-FLTP-50W-5K	50W	6400	IP66	5000K	90-305VAC	-40 to+55
CRLED-FLTP-50W-3K	50W	6400	IP66	4000K	90-305VAC	-40 to+55
CRLED-FLTP-100W-6K	100W	12800	IP66	6000K	90-305VAC	-40 to+55
CRLED-FLTP-100W-5K	100W	12800	IP66	5000K	90-305VAC	-40 to+55
CRLED-FLTP-100W-3K	100W	12800	IP66	4000K	90-305VAC	-40 to+55
CRLED-FLTP-150W-6K	150W	19200	IP66	6000K	90-305VAC	-40 to+55
CRLED-FLTP-150W-5K	150W	19200	IP66	5000K	90-305VAC	-40 to+55
CRLED-FLTP-150W-4K	150W	19200	IP66	4000K	90-305VAC	-40 to+55
CRLED-FLTP-180W-6K	180W	23040	IP66	6000K	90-305VAC	-40 to+55
CRLED-FLTP-180W-5K	180W	23040	IP66	5000K	90-305VAC	-40 to+55
CRLED-FLTP-180W-4K	180W	23040	IP66	4000K	90-305VAC	-40 to+55
CRLED-FLTP-200W-6K	200W	25600	IP66	6000K	90-305VAC	-40 to+55
CRLED-FLTP-200W-5K	200W	25600	IP66	5000K	90-305VAC	-40 to+55
CRLED-FLTP-200W-4K	200W	25600	IP66	4000K	90-305VAC	-40 to+55

### Dimensions



Dimensions (mm)	L (mm)	H (mm)	W (mm)
Size A (100W-150W)	364	298	187
Size B (180W-200W)	465	344	197

# STA SERIES

# LED Street Lights IP66



Cree  
Bridgelux  
Osram  
Sanan

Meanwell  
Inventronics  
Sosen  
LiFud

IP66  
130 Lm / Watt  
50W to 200W  
PF >0.95  
Volts 90-305VAC



**CrystaLED STA Series** of Industrial Type **IP66 LED Street Lights** are suitable for Street Lighting, Highway Lighting, Motorway Lighting applications to achieve HD results with improved color rendering & excellent view of the Roads for CCT Cameras for face & name plate recognition

Optional Special Brackets available on request based on Dia, Drawings & mounting brackets material



Chips: Cree/Bridgelux/Sanan/Osram  
 Drivers: Meanwell/Inventronics/Sosen/LiFud  
 Material: Die Cast Aluminium  
 Paint: Powder Coated Paint  
 Gaskets: Silicone  
 IP Rating: IP66  
 Motion Sensor PIR, Remote Control, Photocell & Timers subject of extra cost

Watts: 50W, 80W, 100W, 120W, 150W & 200W  
 130 Lm/ Watt  
 60,000 hours life  
 P. Factor > 0.95 to 0.98  
 AC Voltages: 90-305VAC, 50/60 Hz  
 DC Voltages: 12 / 24 / 48VDC (on extra cost & change in design parameters)  
 Luminous Angles: 15°/30°/60°/90°/120°

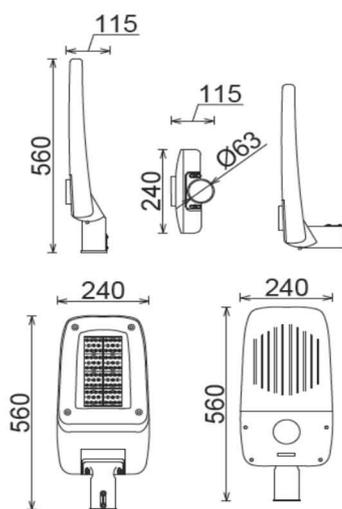
**CrystaLED High Performance LED Street Lights** are also available on request for any specific wattage or nearest to the above mentioned wattages, voltages and color temperatures like 3000K, 6500K. Special manufacturing & technical support services are available to provide you the proper solutions against other technical specifications & customised solution for your different applications

Wattages  
Color Temp  
Catalogue Number  
Product Weights

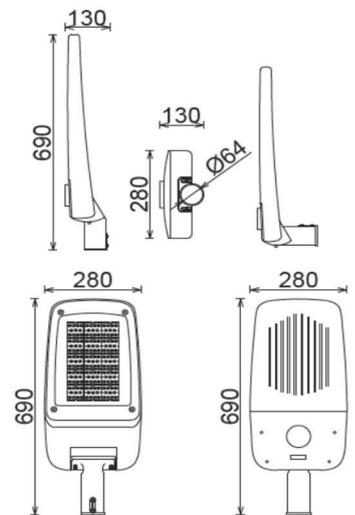
# LED Street Lights IP66

Cat. Number	Wattage	Lumens	IP Rating	Color Temp	Voltages	Temperature	Weight
CRLED-STA-50W-CW-6K	50W	6500	IP66	6000K	220-240 VAC	-40 to+55	3Kgs
CRLED-STA-50W-WW-4K	50W	6500	IP66	4000K	220-240 VAC	-40 to+55	3Kgs
CRLED-STA-80W-CW-6K	80W	10400	IP66	6000K	220-240 VAC	-40 to+55	4Kgs
CRLED-STA-80W-WW-4K	80W	10400	IP66	4000K	220-240 VAC	-40 to+55	4Kgs
CRLED-STA-100W-CW-6K	100W	13000	IP66	6000K	220-240 VAC	-40 to+55	4Kgs
CRLED-STA-100W-WW-4K	100W	13000	IP66	4000K	220-240 VAC	-40 to+55	4Kgs
CRLED-STA-120W-CW-6K	120W	15600	IP66	6000K	220-240 VAC	-40 to+55	4Kgs
CRLED-STA-120W-WW-4K	120W	15600	IP66	4000K	220-240 VAC	-40 to+55	4Kgs
CRLED-STA-150W-CW-6K	150W	19500	IP66	6000K	220-240 VAC	-40 to+55	5.2Kgs
CRLED-STA-150W-WW-4K	150W	19500	IP66	4000K	220-240 VAC	-40 to+55	5.2Kgs
CRLED-STA-200W-CW-6K	200W	26000	IP66	6000K	220-240 VAC	-40 to+55	5.2Kgs
CRLED-STA-200W-WW-4K	200W	26000	IP66	4000K	220-240 VAC	-40 to+55	5.2Kgs

## Dimensions



50W, 80W & 100W



120W, 150W & 200W

# LT8 SERIES

# LED Linear Lights IP65



Cree  
Bridgelux  
Osram  
Sanan

Built-in Drivers  
by the vendor  
for T8 LED  
Lamps  
**Emergency  
Optional**

LED Linear IP65  
120-130 Lm/Watt  
9W, 18W, 36W  
LED Lamp T8  
PF >0.95



High Performance LED Linear Light  
IP65 Industrial Type 2xT8/T8  
LED Lamps G13, Size 600mm  
Cat. CRLED-LI-20W-60K-65-12-BQ  
Make: CrystaLED by CoreTech  
CE & RoHS Certified

# LT8 SERIES

# LED Linear Lights IP65

Wattages  
Color Temp  
Catalogue Number  
Product Weights

Cat. Number	Wattage	Lumens	IP Rating	Color Temp.	Size L (mm)	Voltages	Temperature	Weight
CRLED-LT8-1x9W-6K	9W	1080	IP65	6000K	600	100-240VAC	-20 to+45	1.17
CRLED-LT8-1x9W-4K	9W	1080	IP65	4000K	600	100-240VAC	-20 to+45	1.17
CRLED-LT8-2x9W-6K	18W	2160	IP65	6000K	600	100-240VAC	-20 to+45	1.23
CRLED-LT8-2x9W-4K	18W	2160	IP65	4000K	600	100-240VAC	-20 to+45	1.23
CRLED-LT8-1x18W-6K	18W	2160	IP65	6000K	1200	100-240VAC	-20 to+45	2.24
CRLED-LT8-1x18W-4K	18W	2160	IP65	4000K	1200	100-240VAC	-20 to+45	2.24
CRLED-LT8-2x18W-6K	36W	4320	IP65	6000K	1200	100-240VAC	-20 to+45	2.36
CRLED-LT8-2x18W-4K	36W	4320	IP65	4000K	1200	100-240VAC	-20 to+45	2.36
CRLED-LT8-EM-2x9W-6K	18W	2160	IP65	6000K	600	100-240VAC	-20 to+45	1.23
CRLED-LT8-EM-2x9W-4K	18W	2160	IP65	4000K	600	100-240VAC	-20 to+45	1.23
CRLED-LT8-1x9W-CCT	9W	1080	IP65	3K/4K/6K	600	100-240VAC	-20 to+45	1.2
CRLED-LT8-2x9W-CCT	18W	2160	IP65	3K/4K/6K	600	100-240VAC	-20 to+45	1.3
CRLED-LT8-1x18W-CCT	18W	2160	IP65	3K/4K/6K	1200	100-240VAC	-20 to+45	2.2
CRLED-LT8-2x18W-CCT	24W	4320	IP65	3K/4K/6K	1200	100-240VAC	-20 to+45	2.4
CRLED-LT8-EM-2x18W-6K	24W	4320	IP65	6000K	1200	100-240VAC	-20 to+45	2.4
CRLED-LT8-EM-2x18W-4K	24W	4320	IP65	4000K	1200	100-240VAC	-20 to+45	2.4

Dimensions

Dimensions (mm)	L (mm)	H (mm)	W (mm)
Size A (9W-18W)	663	80	118
Size B (18-36W)	1265	80	118

# TPS SERIES

# Tri-Proof Super Bright LED Linear Lights IP66



IP66 3-CCT  
Builtin LED  
Chips Assembly  
Aluminum Body  
6500K 6000K  
5000K 4000K

Optional Smart  
Wi-Fi Control  
IP68 Wire  
Connectors  
Self-test with Life  
PO4 battery  
Emergency

Flicker Free  
170 Lm/Watt  
18W 20W 25W  
30W 40W 45W  
60W 65W  
IK08, PF >0.95  
100-240 VAC



# TPS SERIES

Wattages  
Color Temp  
Catalogue Number  
Product Weights

## Tri-Proof Super Bright LED Linear Lights IP66

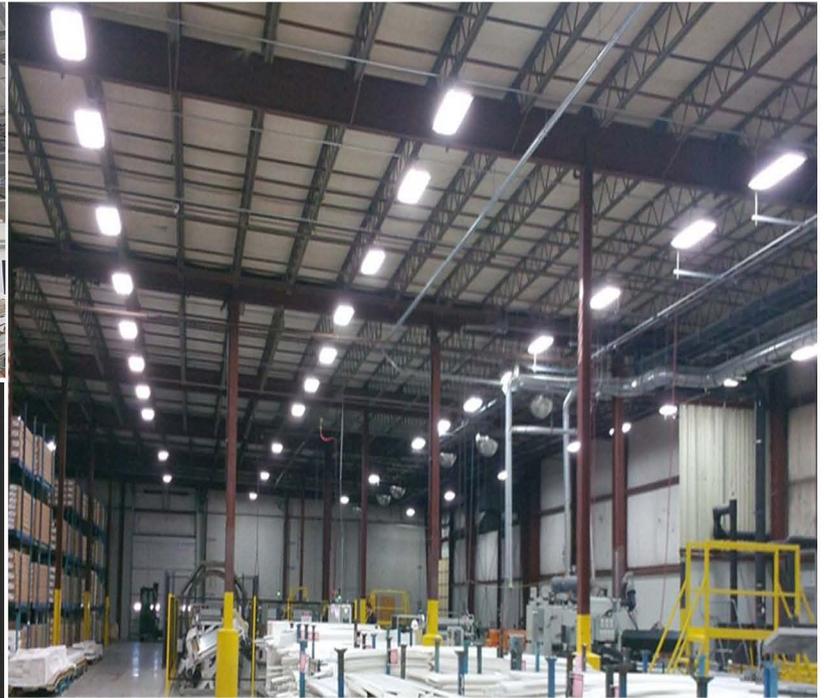
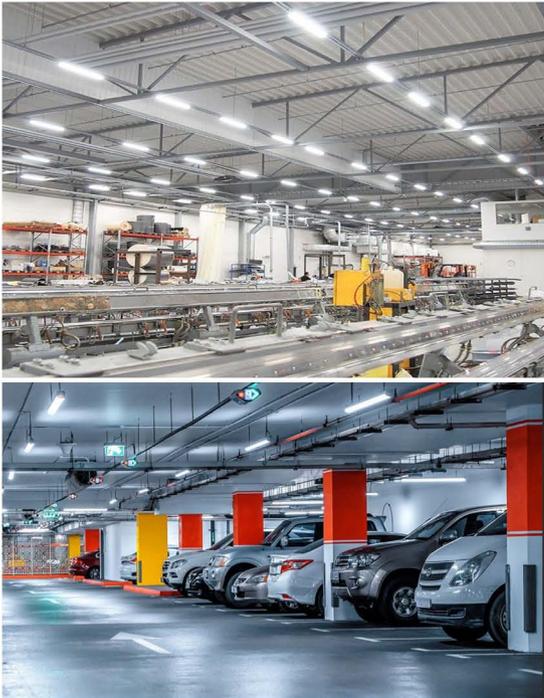
Cat. Number	Watt Available	Lumens	IP Rating	Color Temp.	Size L (mm)	Voltages	Temperature	Weight
CRLED-TPS-18W-17	18W	3060	IP66	4000K/5000K/6000K/6500K	600	100-240VAC	-40 to+55	1
CRLED-TPS-20W-17	20W	3400	IP66	4000K/5000K/6000K/6500K	600	100-240VAC	-40 to+55	1
CRLED-TPS-25W-17	25W	4250	IP66	4000K/5000K/6000K/6500K	600	100-240VAC	-40 to+55	1
CRLED-TPS-20W-17	20W	3400	IP66	4000K/5000K/6000K/6500K	1200	100-240VAC	-40 to+55	1.37
CRLED-TPS-25W-17	25W	4250	IP66	4000K/5000K/6000K/6500K	1200	100-240VAC	-40 to+55	1.37
CRLED-TPS-30W-17	30W	5100	IP66	4000K/5000K/6000K/6500K	1200	100-240VAC	-40 to+55	1.37
CRLED-TPS-35W-17	35W	5950	IP66	4000K/5000K/6000K/6500K	1200	100-240VAC	-40 to+55	1.37
CRLED-TPS-20W-17	20W	3400	IP66	4000K/5000K/6000K/6500K	1500	100-240VAC	-40 to+55	1.55
CRLED-TPS-25W-17	25W	4250	IP66	4000K/5000K/6000K/6500K	1500	100-240VAC	-40 to+55	1.55
CRLED-TPS-30W-17	30W	5100	IP66	4000K/5000K/6000K/6500K	1500	100-240VAC	-40 to+55	1.55
CRLED-TPS-35W-17	35W	5950	IP66	4000K/5000K/6000K/6500K	1500	100-240VAC	-40 to+55	1.55
CRLED-TPS-45W-17	45W	7650	IP66	4000K/5000K/6000K/6500K	1500	100-240VAC	-40 to+55	1.55
CRLED-TPS-60W-17	60W	10200	IP66	4000K/5000K/6000K/6500K	1500	100-240VAC	-40 to+55	1.55
CRLED-TPS-EM-25W-17	25W	4250	IP66	4000K/5000K/6000K/6500K	600	100-240VAC	-40 to+55	1.8
CRLED-TPS-EM-35W-17	35W	5950	IP66	4000K/5000K/6000K/6500K	1200	100-240VAC	-40 to+55	2.37
CRLED-TPS-EM-60W-17	60W	10200	IP66	4000K/5000K/6000K/6500K	1500	100-240VAC	-40 to+55	2.55
CRLED-TPS-3CCT-25W-17	25W	4250	IP66	4000K/5000K/6500K	600	100-240VAC	-40 to+55	1
CRLED-TPS-3CCT-35W-17	35W	5950	IP66	4000K/5000K/6500K	1200	100-240VAC	-40 to+55	1.37
CRLED-TPS-3CCT-60W-17	60W	10200	IP66	4000K/5000K/6500K	1500	100-240VAC	-40 to+55	1.55

### Dimensions

Dimensions (mm)	L (mm)	H (mm)	W (mm)
Size A (25W)	600	59	82
Size B (35W)	1200	59	82
Size C (60W)	1500	59	82

# LTP SERIES

# LED Linear Lights IP66



Built-in LED Assembly  
4-CCT  
3 Power Switch  
13-15-18W  
25-30-36W  
35-44-52W

Isolated & Non Isolated  
LED Driver  
Self-test with Life PO4 battery  
Emergency

IP66 Flicker Free  
130-185 Lm/Watt  
15W, 30W, 44W  
IK10  
PF >0.95  
200-240 VAC

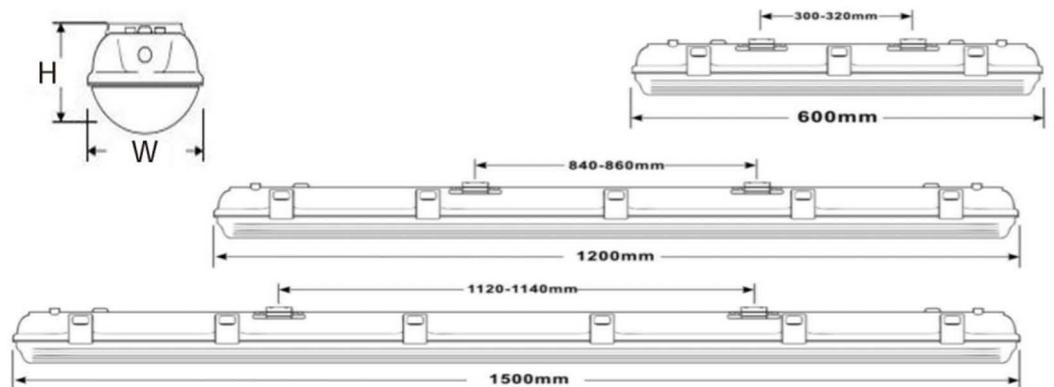


# LTP SERIES

Wattages  
Color Temp  
Catalogue Number  
Product Weights

## LED Linear Lights IP66

Cat. Number	Wattage	Lumens	IP Rating	Color Temp.	Size L (mm)	Voltages	Temperature	Weight
CRLED-LTP-15W-4CCT-13	18W/15W/13W	1950	IP66	3000K/4000K/5000K/5700K	600	100-240VAC	-20 to+40	1.2
CRLED-LTP-30W-4CCT-13	36W/30W/25W	3900	IP66	3000K/4000K/5000K/5700K	1200	100-240VAC	-20 to+40	1.9
CRLED-LTP-44W-4CCT-13	52W/44W/35W	5720	IP66	3000K/4000K/5000K/5700K	1500	100-240VAC	-20 to+40	2.2
CRLED-LTP-15W-4CCT-15	18W/15W/13W	2250	IP66	3000K/4000K/5000K/5700K	600	100-240VAC	-20 to+40	1.2
CRLED-LTP-30W-4CCT-15	36W/30W/25W	4500	IP66	3000K/4000K/5000K/5700K	1200	100-240VAC	-20 to+40	1.9
CRLED-LTP-44W-4CCT-15	52W/44W/35W	6600	IP66	3000K/4000K/5000K/5700K	1500	100-240VAC	-20 to+40	2.2
CRLED-LTP-15W-4CCT-17	18W/15W/13W	2550	IP66	3000K/4000K/5000K/5700K	600	100-240VAC	-20 to+40	1.2
CRLED-LTP-30W-4CCT-17	36W/30W/25W	5100	IP66	3000K/4000K/5000K/5700K	1200	100-240VAC	-20 to+40	1.9
CRLED-LTP-44W-4CCT-17	52W/44W/35W	7480	IP66	3000K/4000K/5000K/5700K	1500	100-240VAC	-20 to+40	2.2



### Dimensions

Dimensions (mm)	L (mm)	H (mm)	W (mm)
Size A (15W)	600	72	80
Size B (30W)	1200	72	80
Size C (44W)	1500	72	80

## UFO SERIES

## LED Highbay Lights IP66



Cree Bridgelux  
Osram Sanan  
1CCT & 3CCT  
Meanwell  
Inventronics  
Sosen LiFud

Three Body Sizes  
SPD, IP66  
150-190 Lm / W  
50W to 200W  
PF >0.95  
Volts: 200-240VAC

Ring, Hook &  
Bracket Mounting  
Beam Angel  
60 / 90 / 120  
CE & RoHS  
Certified



Wattages  
Color Temp  
Catalogue Number  
Product Weights

# LED High Bay Lights IP66

Cat. Number	Wattage	Lumens	IP Rating	Color Temp.	Voltages	Temp
CRLED-HB-80W-6K	80W	12000	IP66	6000K	90-305VAC	-20 to+45
CRLED-HB-80W-5K	80W	12000	IP66	5000K	90-305VAC	-20 to+45
CRLED-HB-80W-4K	80W	12000	IP66	4000K	90-305VAC	-20 to+45
CRLED-HB-100W-6K	100W	15000	IP66	6000K	90-305VAC	-20 to+45
CRLED-HB-100W-5K	100W	15000	IP66	5000K	90-305VAC	-20 to+45
CRLED-HB-100W-4K	100W	15000	IP66	4000K	90-305VAC	-20 to+45
CRLED-HB-150W-6K	150W	22500	IP66	6000K	90-305VAC	-20 to+45
CRLED-HB-150W-5K	150W	22500	IP66	5000K	90-305VAC	-20 to+45
CRLED-HB-150W-4K	150W	22500	IP66	4000K	90-305VAC	-20 to+45
CRLED-HB-200W-6K	200W	30000	IP66	6000K	90-305VAC	-20 to+45
CRLED-HB-200W-5K	200W	30000	IP66	5000K	90-305VAC	-20 to+45
CRLED-HB-200W-4K	200W	30000	IP66	4000K	90-305VAC	-20 to+45
CRLED-HB-240W-6K	240W	36000	IP66	6000K	90-305VAC	-20 to+45
CRLED-HB-240W-5K	240W	36000	IP66	5000K	90-305VAC	-20 to+45
CRLED-HB-240W-4K	240W	36000	IP66	4000K	90-305VAC	-20 to+45
CRLED-HB-80W-CCT	80W	12000	IP66	4000K/5000K/6000K	90-305VAC	-20 to+45
CRLED-HB-100W-CCT	100W	15000	IP66	4000K/5000K/6000K	90-305VAC	-20 to+45
CRLED-HB-150W-CCT	150W	22500	IP66	4000K/5000K/6000K	90-305VAC	-20 to+45
CRLED-HB-200W-CCT	200W	30000	IP66	4000K/5000K/6000K	90-305VAC	-20 to+45

Dimensions

Dimensions (mm)	Φ(mm)	H (mm)
Size A (80W-100W)	240	155
Size B (120W-150W)	285	157
Size C (200W-240W)	325	172

# BPL SERIES

# LED Panel Light IP40 Backlit Panel Technology



Backlit Panel Light  
1CCT & 3CCT  
36W & 40W  
100-120 Lm/Watt  
6000K 5000K  
4000K 3000K  
Life: 50,000 Hours

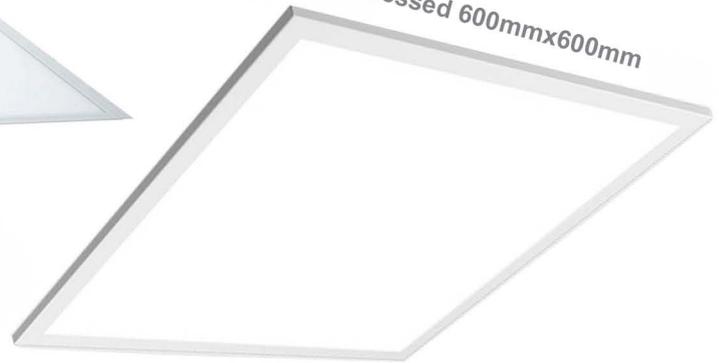
Amb Temp: -25-60°C  
CRI: Ra>80  
Isolated Flicker  
Free Driver  
SPD Optional  
EN55015  
EN61000-3-2

Recessed Standard  
Pendant Optional  
& Surface Optional  
PF >0.90  
220-240V 50/60Hz  
CE & RoHS  
TUV EMC & TUV LVD  
EN61000-4-2 EN61547

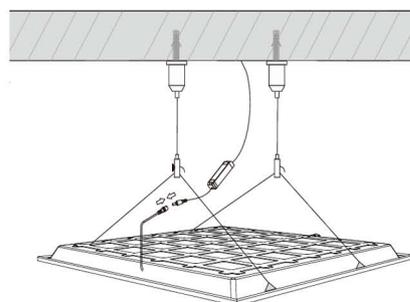
Recessed Type 1200mmx600mm



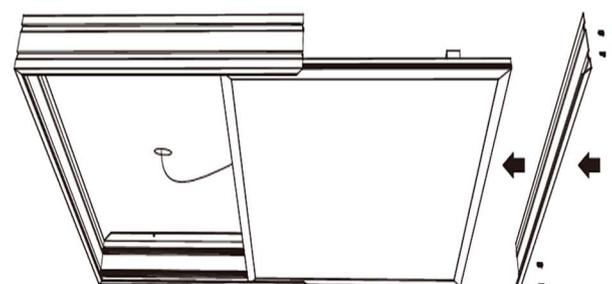
Recessed 600mmx600mm



Pendant Type



Surface Type



# BPL SERIES

Wattages  
Color Temp  
Catalogue Number  
Product Weights

## LED Panel Light

### Backlit Panel Technology

#### 600x600mm & 600x1200mm

Cat. Number	Watts	Lumens	Lm/W	IP Rating	Color Temp.	Size	Voltages	Temperature	Weight
CRLED-PL-36W-3K	36W	3700	100lm/W	IP20	3000K	595mmx595mm	200-240VAC	-20 to+60	1.62
CRLED-PL-36W-4K	36W	3700	100lm/W	IP20	4000K	595mmx595mm	200-240VAC	-20 to+60	1.62
CRLED-PL-36W-6K	36W	3700	100lm/W	IP20	6000K	595mmx595mm	200-240VAC	-20 to+60	1.62
CRLED-PL-40W-3K	40W	4200	100lm/W	IP20	3000K	595mmx595mm	200-240VAC	-20 to+60	1.62
CRLED-PL-40W-4K	40W	4200	100lm/W	IP20	4000K	595mmx595mm	200-240VAC	-20 to+60	1.62
CRLED-PL-40W-6K	40W	4200	100lm/W	IP20	6000K	595mmx595mm	200-240VAC	-20 to+60	1.62
CRLED-PL-36W-CCT	36W	4320	120lm/W	IP20	3000K/4000/6000K	595mmx595mm	200-240VAC	-20 to+40	2
CRLED-PL-36W-CCT	36W	4320	120lm/W	IP20	3000K/4000/6000K	595mmx595mm	200-240VAC	-20 to+40	2
CRLED-PL-36W-CCT	36W	4320	120lm/W	IP20	3000K/4000/6000K	595mmx595mm	200-240VAC	-20 to+40	2
CRLED-PL-25W-CCT	25W	3750	150lm/W	IP20	3000K/4000/6000K	595mmx595mm	200-240VAC	-20 to+40	2
CRLED-PL-25W-CCT	25W	3750	150lm/W	IP20	3000K/4000/6000K	595mmx595mm	200-240VAC	-20 to+40	2
CRLED-PL-25W-CCT	25W	3750	150lm/W	IP20	3000K/4000/6000K	595mmx595mm	200-240VAC	-20 to+40	2
CRLED-PL-64W-3K	64W	7680	120lm/W	IP20	3000K	1195mmx595mm	200-240VAC	-20 to+40	4
CRLED-PL-64W-4K	64W	7680	120lm/W	IP20	4000K	1195mmx595mm	200-240VAC	-20 to+40	4
CRLED-PL-64W-6K	64W	7680	120lm/W	IP20	6000K	1195mmx595mm	200-240VAC	-20 to+40	4

Dimensions

Dimensions (mm)	L (mm)	W (mm)	H (mm)
<b>36W</b>	595mm	595mm	30mm
<b>40W</b>	595mm	595mm	30mm
<b>64W</b>	1195mm	295mm	30mm
<b>64W</b>	1195mm	295mm	30mm



# SRD SERIES

# LED Round Panel Light 3-CCT & 1-CCT Recessed & Surface Type



LED Panel Light  
Down Light  
1CCT & 3CCT  
9W 12W 18W 24W  
100-120 Lm/Watt  
6000K 4000K 3000K

Amb Tmp: -25-45°C  
CRI: Ra>80  
Flicker Free Built-in  
LED Driver  
1.5KV SPD Built-in  
Retaining Chain for  
Maintenance

Recessed & Surface  
Life: 30,000 Hours  
PF >0.70  
100-240V 50/60Hz  
50mm to 200mm  
Hole Dia Adaptability  
CE & RoHS



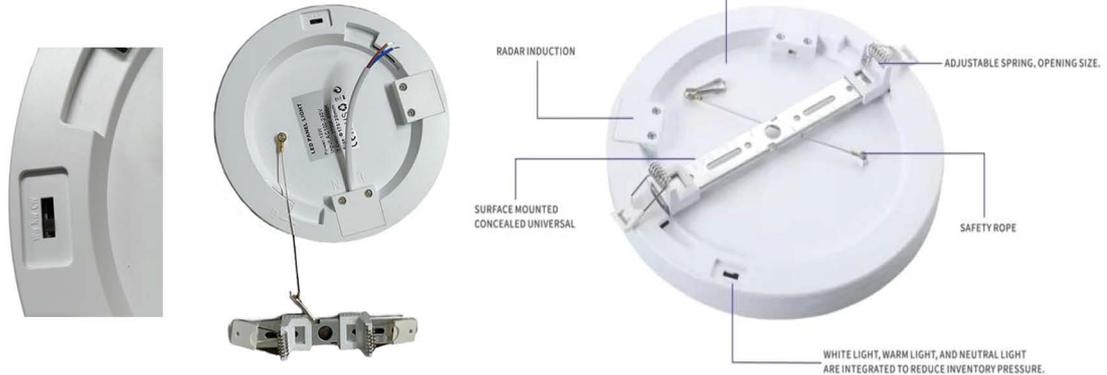
**Applications:**  
Shops & Sales Outlets  
School Rooms & Office Rooms  
Homes & Kitchens  
Restaurants & Corridors

False Ceiling & Concrete Ceiling  
Wall & Surface Mounting  
Hole Dia 20mm to 100mm



## SRD SERIES

Wattages  
Color Temp  
Catalogue Number  
Product Weights



Cat. Number	Mounting	Wattage	Lumens	IP Rating	Color Temp	Voltages	Temperature	Weight
CRLED-SRD-RR-9W-3-CCT	Recessed	9W	900	IP20	3K/4K/6K	100-240VAC	-20 to+45	0.22
CRLED-SRD-RR-12W-3-CCT	Recessed	12W	1200	IP20	3K/4K/6K	100-240VAC	-20 to+45	0.38
CRLED-SRD-RR-18W-3-CCT	Recessed	18W	1800	IP20	3K/4K/6K	100-240VAC	-20 to+45	0.82
CRLED-SRD-RR-24W-3-CCT	Recessed	24W	2400	IP20	3K/4K/6K	100-240VAC	-20 to+45	0.97
CRLED-SRD-SR-9W-3-CCT	Surface	9W	900	IP20	3K/4K/6K	100-240VAC	-20 to+45	0.22
CRLED-SRD-SR-12W-3-CCT	Surface	12W	1200	IP20	3K/4K/6K	100-240VAC	-20 to+45	0.38
CRLED-SRD-SR-18W-3-CCT	Surface	18W	1800	IP20	3K/4K/6K	100-240VAC	-20 to+45	0.82
CRLED-SRD-SR-24W-3-CCT	Surface	24W	2400	IP20	3K/4K/6K	100-240VAC	-20 to+45	0.97
CRLED-SRD-RR-9W-6K	Recessed	9W	900	IP20	6000K	100-240VAC	-20 to+45	0.22
CRLED-SRD-RR-12W-6K	Recessed	12W	1200	IP20	6000K	100-240VAC	-20 to+45	0.38
CRLED-SRD-RR-9W-4K	Recessed	9W	900	IP20	4000K	100-240VAC	-20 to+45	0.22
CRLED-SRD-RR-12W-4K	Recessed	12W	1200	IP20	4000K	100-240VAC	-20 to+45	0.38
CRLED-SRD-RR-9W-3K	Recessed	9W	900	IP20	3000K	100-240VAC	-20 to+45	0.22
CRLED-SRD-RR-12W-3K	Recessed	12W	1200	IP20	3000K	100-240VAC	-20 to+45	0.38

Dimensions

Dimensions (mm)	Dia $\phi$	H (mm)	Cut Size
Size A (9W)	155	20	70-100 mm
Size B (12W)	175	20	70-120 mm
Size C (18W)	225	20	70-170 mm
Size D (24W)	300	20	70-240 mm

# Solar Inverters On-Grid & Hybrid

On Grid  
Off Grid  
Hybrid  
All in one  
Solar Inverter

WiFi / IOT  
User Interface  
LCD Front  
Panel  
IP20 & IP65

4.2KW  
6.2KW  
8.2KW  
10.2KW

48 VDC  
Charging  
PV in L-N  
AC in L-N  
Main out L-N  
Second out L-N

LCD  
Display





# LED Lighting Products



+92-42-378-99-555



+92-321-842-9691



info@crystaled.com.pk



www.crystaled.com.pk



123-B1, Punjab Govt. Employees  
Cooperative Housing Society  
(PGECHS), Phase-I Lahore  
Pakistan Post Code 57000



Scan QR Code